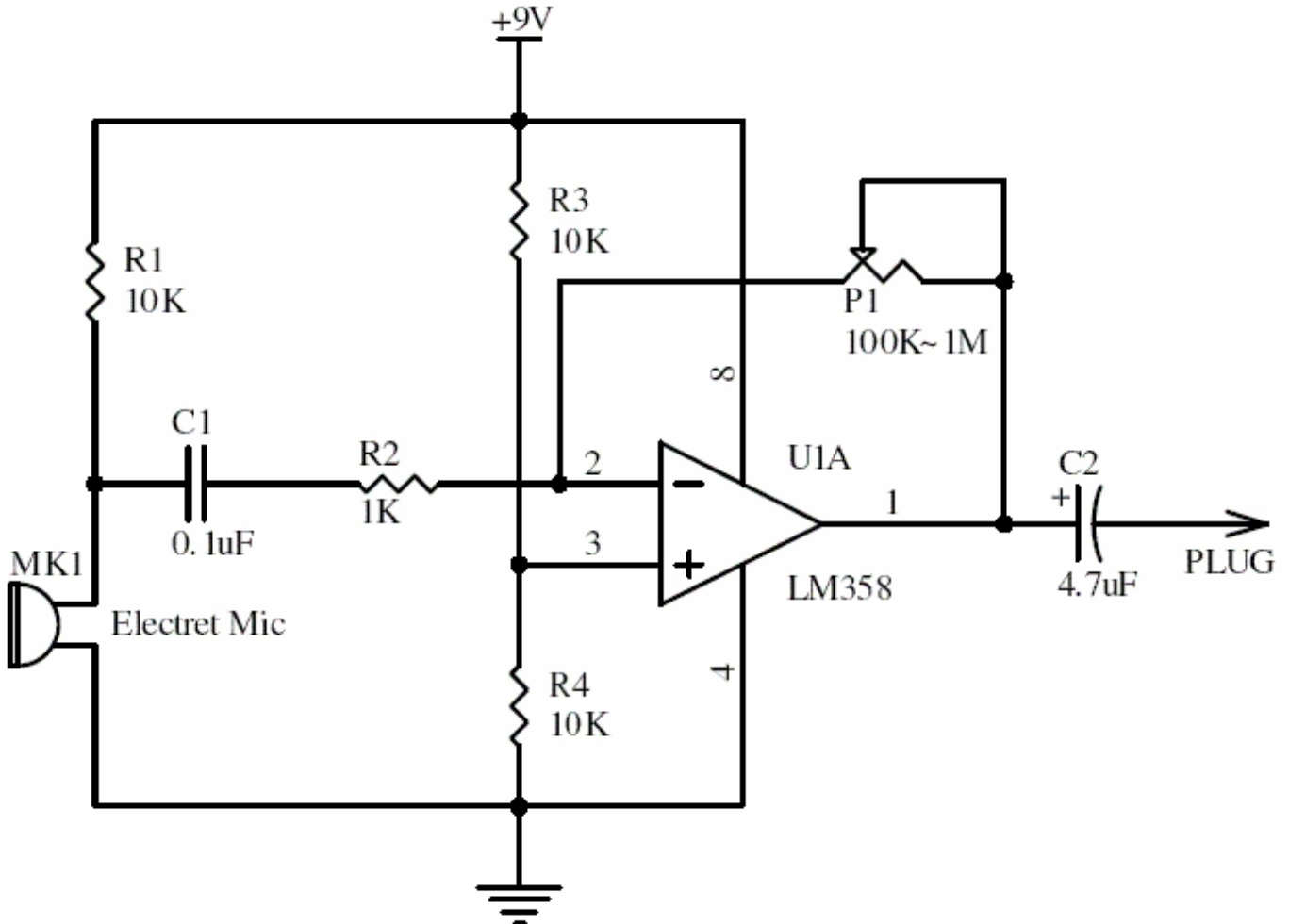


Electret Microphone Pre-Amplifier



This circuit will be useful if you have an electret microphone that produces a low audio (sound) level and you want to connect it to an amplifier or something like it. The circuit will boost the microphone output voltage to obtain an acceptable signal level. Just adjust the R5 potentiometer to obtain the desired gain. Note that the R5 value is dependent on your gain need.